



Meet reliability.



A GLOBAL  
TECHNOLOGY  
LEADER  
IN DOOR  
& DOCK  
SOLUTIONS





## Who we are

Metaflex India, an ISO 9001:2015 certified organization, is the leading manufacturer of insulated doors. Our footprints stretched over a wide range of product portfolio, spanning hermetically sealed OT doors, radiation proof doors, cold room doors, controlled atmosphere doors, fire rated doors, industrial doors and docking solutions.

Our group company, Metaflex Doors Europe (MDE), headquartered in Aalten, is the largest manufacturer of insulated doors in Netherlands and has a wide presence globally, be it Europe, Africa, South East Asia or Middle East.

We develop and deliver high-tech door systems. Solutions those are renowned worldwide for their extraordinary safety, reliability, and sustainability. We develop and deliver these in the service of global healthcare and life science, cold chain, food processing, hospitality, commercial and industrial units. We don't do this alone. With over 40 years of experience, we are convinced of the power of listening and collaboration. We make the journey from initiation to operation and follow-up together. All our doors are based on the situations, objectives, and wishes of our customers, from design to assembly. Each new project is a completely new journey.

The company has set the benchmarks in the field of innovation. It was the first company in India to innovate and launch 100% hermetically sealed doors made from inorganic material that doesn't lead bacteria grow and prevents cross contamination. This innovation brings the phenomenon of focusing on patients' safety in Indian healthcare industry.

Awarded as Operational efficiency enhancer for Global Logistics Awards, we have been instrumental in adding value to the warehouses and logistics centres through our innovative products.

We have a presence across India with headquarter and state of the art manufacturing unit in Greater Noida and branch offices in Bangalore, Kolkata and Mumbai. We cater to 350 pin codes pan India.

Our sheer commitment towards sustainability makes it not optional, but a business imperative for us. Metaflex has always adhered to the sustainable approach to business and has helped its clients in conducting their business in a sustainable manner. We are aware that growth is inseparably linked to the well-being of our ecosystem - employees, business partners, society and the environment.



# INDEX

## COLD CHAIN DOORS

### CHILLER DOORS: Sliding

Food Care Chiller (FCC) .....	01
Mak Chiller 5(MC5).....	01
Mak Chiller 7(MC7).....	02
Meat Rail Doors.....	02

### CHILLER DOORS: Hinge

Mak Swing Ambient Chiller (MSA).....	03
Mak Swing Chiller (MSC).....	03

### CHILLER DOORS: Hatch

Mak Swing Hatch Chiller (MSHC).....	04
-------------------------------------	----

### FREEZER DOORS: Sliding

Mak Freezer 5 (MF5):.....	04
Food Care Freezer (FCF):.....	05
Mak Freezer 7 (MF7):.....	05

### FREEZER DOORS: Hinge

Mak Swing Freezer (MSF):.....	06
-------------------------------	----

### FREEZER DOORS: Hatch

Mak Swing Hatch Freezer (MSHF):.....	06
--------------------------------------	----

### BLAST FREEZER DOORS: Sliding

Mak Blast Freezer 7 (MBF7):.....	07
----------------------------------	----

### BLAST FREEZER DOORS: Hinge

Mak Swing Blast Freezer (MSBF):.....	07
--------------------------------------	----

### BLAST FREEZER DOORS: Hatch

Mak Swing Hatch Blast Freezer (MSHBF):.....	08
---	----

### AUTOMATION

Microprocessor Based Automation.....	08
--------------------------------------	----

CA DOORS.....	09
---------------	----

LINE DRAWING.....	10-11
-------------------	-------

CLIENT LIST.....	12
------------------	----

SERVICES.....	13
---------------	----

OUR NETWORK .....	14
-------------------	----

# CHILLER DOORS: Sliding

Best suited for temperature controlled areas, chiller doors are apt for the +ve temperature maintenance areas. Made from Dutch technology, this door is highly energy efficient and delivers appropriate insulation value.

## Food Care Chiller (FCC)



### Features

- 80mm PIR insulation for +ve temperature upto +1°C
- Minimalist design & smooth surface enabling highest standard of hygiene
- Economic solution for small chiller rooms
- Easily replaceable EPDM gaskets
- High grade PA rollers enable everlasting frictionless movement
- Amazing operational ease with telescopic opener
- Complete hermetic sealing with 'down and in' movement.

## Mak Chiller 5(MC5)



### Features

- 80mm PIR insulation for positive temperatures up to +1° C
- Unique Rail System
- Sturdy door with heavy gauge aluminum framework
- Easily replaceable modular panel system
- Hermetically sealing, energy efficient, easy operation
- Manufacturing techniques guarantee extreme rigidity

Application Area: Agri-horticulture • Dairy • Meat & Fisheries • Food Processing Units • Warehouses • CA Chambers • Cold Chains

## Mak Chiller 7(MC7)



### Features

- Unique Heavy Duty Rail System
- Sturdy door with heavy gauge aluminum framework
- Easily replaceable modular panel system
- 80mm PIR insulation for positive temperatures up to +1° C
- Hermetically sealing, energy efficient, easy operation
- Manufacturing techniques guarantee extreme rigidity
- Special large sizes available on request

## Meat Rail Doors

Metaflex Meat Rail doors are specially designed for rigorous use in take areas and boning halls in meat processing plants, food processing units, warehouses and other special application areas.



### Features

- Unique heavy duty rail system
- Sturdy door with heavy gauge aluminium framework
- 80mm PIR insulation, SS304 door profiles with PCGI or SS304 insulated panels.
- Easily replaceable modular panel system | Interrupted rail structure with additional wheels through which door can bridge the recess in the rail structure unimpeded
- Profile of runway is cut out in rubber flaps with which the gate is finished.

Application Area: Agri-horticulture • Dairy • Meat & Fisheries • Food Processing Units • Warehouses • CA Chambers • Cold Chains

# CHILLER DOORS: Hinge

## Mak Swing Ambient Chiller (MSA).



### Features

- 60mm PIR insulation for +ve temperature up to +5° C.
- Metaflex opener with Euro profile cylinder, Rotate, Press & Seal function for best airtight sealing.
- Rising Hinges in metal body with 3D adjustments.
- Plane and Smooth surface enables maintaining highest standard of hygiene and cleanliness.
- Specially designed bottom gasket for complete hermetic sealing.
- Heavy duty steel reinforcements in Door Blade for extreme rigidity.
- Easily replaceable EPDM gaskets.

## Mak Swing Chiller (MSC).



### Features

- 80mm PIR insulation for positive temperature up to +1° C.
- Metaflex opener with Euro profile cylinder, Rotate, Press & Seal function for best airtight sealing.
- Rising Hinges in metal body with 3 D adjustments.
- Plain and smooth surface enables maintaining highest standard of hygiene and cleanliness.
- Heavy duty steel reinforcements in Door Blade for extreme rigidity.
- Easily replaceable EPDM sealing gaskets on all 4 sides.

Application Area: Cold Storages • Agri-horticulture • Dairy • Meat & Fisheries • Food Processing Units • Warehouses • CA Chambers

# CHILLER DOORS: Hatch

COLD  
CHAIN

## Mak Swing Hatch Chiller (MSHC)



### Features

- 80mm PIR insulation for +ve temperature up to +1° C.
- Metaflex opener with Euro profile cylinder, Rotate, Press & Seal function for best airtight sealing.
- Rising hinges in metal body with 3D adjustments.
- Plane and smooth surface enables maintaining highest standard of hygiene and cleanliness.
- Specially designed bottom gasket for complete hermetic sealing.
- Heavy duty steel reinforcements in Door Blade for extreme rigidity.
- Easily replaceable EPDM gaskets.

# FREEZER DOORS: Sliding

## Mak Freezer 5 (MF5):



### Features

- Unique Rail System.
- Sturdy door with heavy gauge aluminum framework.
- Easily replaceable modular panel system.
- 120mm PIR insulation for -ve temperature up to -28°C.
- Hermetically sealing, energy efficient, easy operation.
- Manufacturing techniques guarantee extreme rigidity.
- Frame heaters in all 4 sides of the wall frame for De-icing mechanism.

Application Area: Cold Storages • Agri-horticulture • Dairy • Meat & Fisheries • Food Processing Units • Warehouses • CA Chambers



# FREEZER DOORS: Sliding

Designed especially for negative temperature freezer rooms, Mak Freezer is the most suited door for areas like dairy, fisheries & food processing units.

## Food Care Freezer (FCF):



### Features

- 120mm PIR insulation for -ve temperature up to -28° C.
- Highest quality economic solution for small chiller rooms.
- Splendidly clean appearance.
- Easily replaceable EPDM gaskets.
- High grade PA rollers enable everlasting frictionless movement.
- Amazing operational ease with Innovative Telescopic Opener.
- Complete hermetically sealing with “down and in” movement
- Minimalist in design yet robust in construction.
- Upgradable with automation anytime.
- D-Grip option available on sizes up to 1200x2100 (WXH)
- Frame heaters in all 4 sides of the wall frame for De-icing mechanism.

## Mak Freezer 7 (MF7):



### Features

- Unique Heavy Duty Rail System
- Sturdy door with heavy gauge aluminum framework
- Easily replaceable modular panel system
- 120mm PIR insulation for negative temperatures up to -28° C
- Hermetically sealing, energy efficient, easy operation
- Manufacturing techniques guarantee extreme durability
- Frame heaters in all 4 sides of the wall frame for De-icing mechanism.

Application Area: Agri-horticulture • Dairy • Meat & Fisheries • Food Processing Units • Warehouses • CA Chambers • Cold Chains

# FREEZER DOORS: Hinge

COLD  
CHAIN

## Mak Swing Freezer: (MSF)

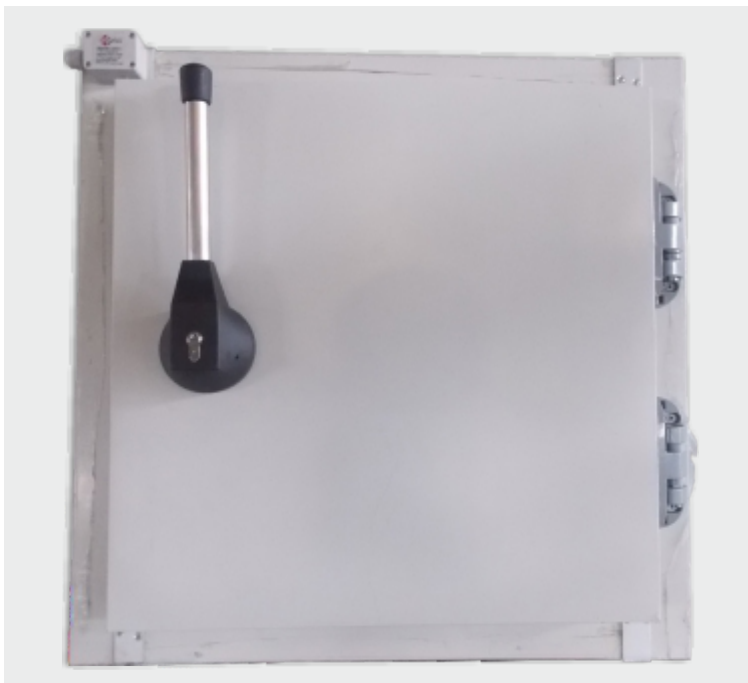


### Features

- 120mm PIR insulation for -ve temperature up to -28° C.
- Metaflex opener with Euro profile cylinder, Rotate, Press & Seal function for best airtight sealing.
- Rising Hinges in metal body with 3D adjustments.
- Plane and Smooth surface enables maintaining highest standard of hygiene and cleanliness.
- Specially designed bottom gasket for complete hermetic sealing.
- Heavy duty steel reinforcements in Door Blade for extreme rigidity.
- Easily replaceable EPDM gaskets.
- Frame heaters in all 4 sides of the wall frame for De-icing mechanism.

# FREEZER DOORS: Hatch

## Mak Swing Hatch Freezer (MSHF)



### Features

- 120mm PIR insulation for negative temperature up to -28° C.
- Metaflex opener with Euro profile cylinder, Rotate, Press & Seal function for best airtight sealing.
- Rising Hinges in metal body with 3 D adjustments.
- Plain and smooth surface enables maintaining highest standard of hygiene and cleanliness.
- Heavy duty steel reinforcements in Door Blade for extreme rigidity.
- Easily replaceable EPDM sealing gaskets on all 4 sides.
- Frame heaters in all 4 sides of the wall frame for De-icing mechanism.
- Standard Color RAL9002, Optional SS304 in circle brush finish.
- Standard Sizes (in mm): 600 x 600, 900 x 900, 900 x 2100, 1000 x 2100, 1200 x 2100.

Application Area: Agri-horticulture • Dairy • Meat & Fisheries • Food Processing Units • Warehouses • CA Chambers • Cold Chains

# BLAST FREEZER DOORS: Sliding

Mak Blast Freezer is absolutely apt for temperature controlled areas where the requirement is for negative temperature. The high thickness of this door enables 100% hermetic sealing and ensures there is no leakage.

## Mak Blast Freezer 7 (MBF7):



### Features

- Unique Heavy Duty Rail System
- Sturdy door with heavy gauge aluminum framework
- Easily replaceable modular panel system
- 150mm PIR insulation for -ve temperature up to -40° C
- Hermetically sealing, energy efficient, easy operation
- Manufacturing techniques guarantee extreme durability
- Frame heaters in all 4 sides of the wall frame for De-icing mechanism.

# BLAST FREEZER DOORS: Hinge

## Mak Swing Blast Freezer (MSBF):



### Features

- 160mm PIR insulation for -ve temperature up to -40° C.
- Metaflex opener with Euro profile cylinder, Rotate, Press & Seal function for best airtight sealing.
- Plane and Smooth surface enables maintaining highest standard of hygiene and cleanliness.
- Specially designed bottom gasket for complete hermetic sealing.
- Heavy duty steel reinforcements in Door Blade for extreme rigidity.
- Easily replaceable EPDM gaskets.
- Frame heaters in all 4 sides of the wall frame for De-icing mechanism.

Application Area: Agri-horticulture • Dairy • Meat & Fisheries • Food Processing Units • Warehouses • CA Chambers • Cold Chains

# BLAST FREEZER DOORS: Hatch

COLD  
CHAIN

## Mak Swing Hatch Blast Freezer (MSHBF)



### Features

- 160mm PIR insulation for negative temperature up to -40° C.
- Metaflex opener with Euro profile cylinder, Rotate, Press & Seal function for best airtight sealing.
- Plain and smooth surface enables maintaining highest standard of hygiene and cleanliness.
- Heavy duty steel reinforcements in Door Blade for extreme rigidity.
- Easily replaceable EPDM sealing gaskets on all 4 sides.
- Frame heaters in all 4 sides of the wall frame for De-icing mechanism.
- Standard Color RAL9002, Optional SS304 in circle brush finish.
- Standard Sizes (in mm): 600 x 600, 900 x 900, 900 x 2100, 1000 x 2100, 1200 x 2100.

## AUTOMATION



### Microprocessor Based controller

- If an obstruction is present and prevents the door from closing, the intelligent automation sense with self reversal function, thus, eliminating the need for safety strip.
- Additional safety is provided by means of a photo cell fitted across the door opening inside the wall frame.
- Easily adjustable variable options through Wi-Fi scanner:
  - The opening and closing speed
  - Wait time
  - Part/half opening.

Application Area: Agri-horticulture • Dairy • Meat & Fisheries • Food Processing Units • Warehouses • CA Chambers • Cold Chains

# CA DOORS

Controlled Atmosphere (CA) and Ultra Low Oxygen (ULO) doors are the gas-tight doors that are specially designed for the storage of perishable items. In CA storage method, an atmosphere is created within the gas-tight refrigeration cell which is characterized by very low oxygen content (approximately 1%), increased CO<sub>2</sub> content and a temperature & air humidity level which can be adjusted depending on the product. CA door is a very crucial element in maintaining the gases balance intact inside the storage area. Since, door is the only moving object in CA storage, it is very important to ensure that it should not let any leakage happen and provide 100% sealing.



## Features

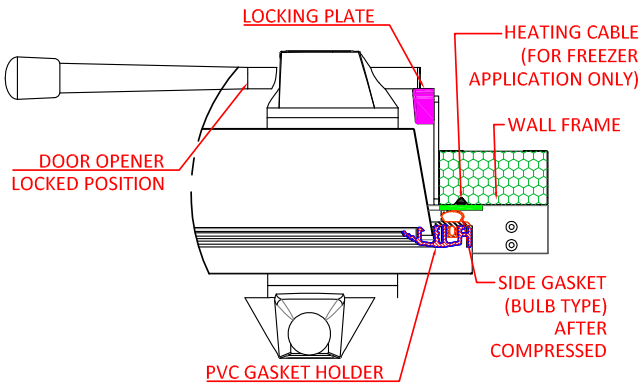
- Altering and maintaining atmospheric composition that is different from air composition of N<sub>2</sub> 78%, O<sub>2</sub> 21% & CO<sub>2</sub> 0.03%
- Sealing 100% gas-tight by means of inflatable profiles
- High Relative Humidity 90-95% RH
- R-value: approx. 3,7 (m<sup>2</sup> .K/W)
- Framing anodized aluminium profiles
- Thermal bridge free

Application Area: CA Chambers

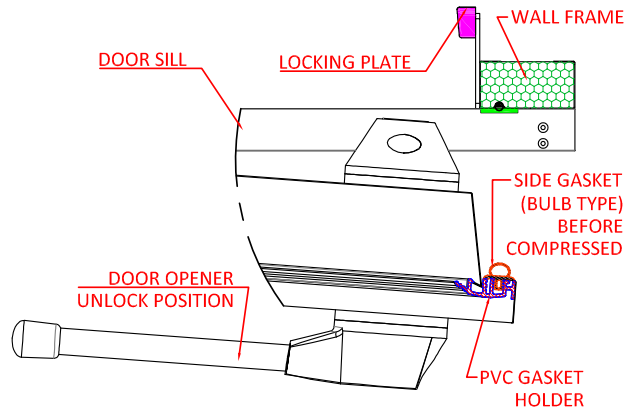
# CONCEPT FOR HERMETIC SEALED HINGE DOOR

LINE  
DRAWING

DOOR CLOSED CONDITION

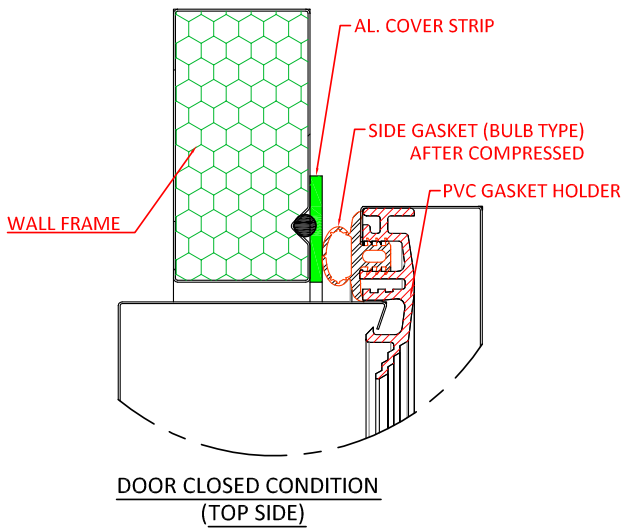


DOOR OPEN CONDITION



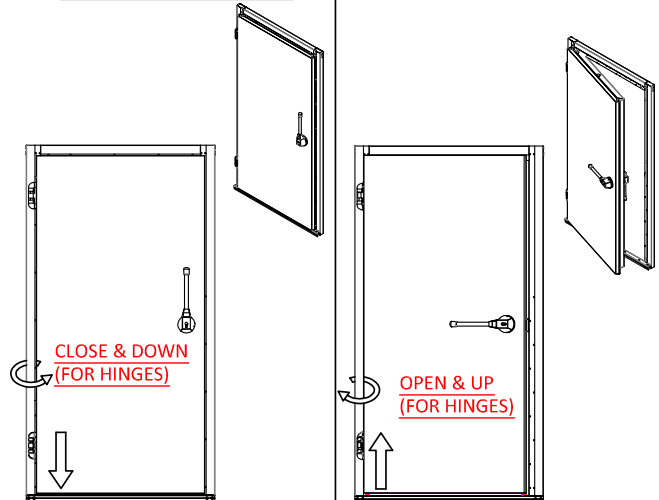
DOOR CLOSED CONDITION (TOP VIEW)

DOOR OPEN CONDITION (TOP VIEW)

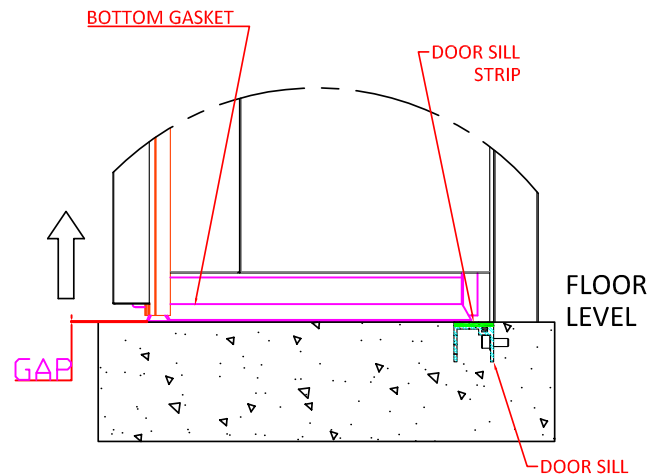
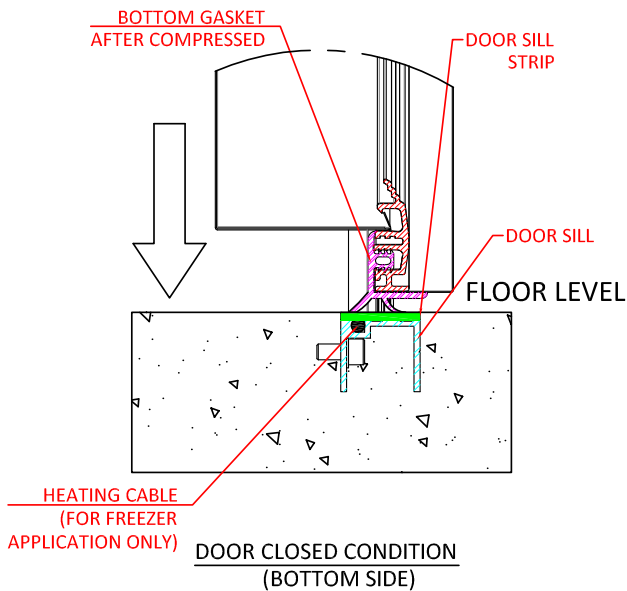


DOOR CLOSED CONDITION

DOOR OPEN CONDITION

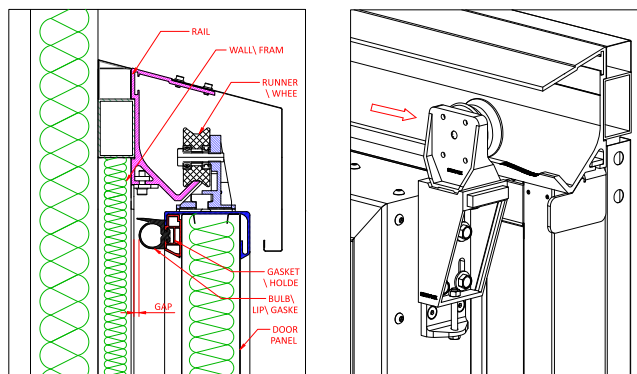


DOOR CLOSED CONDITION (TOP SIDE)

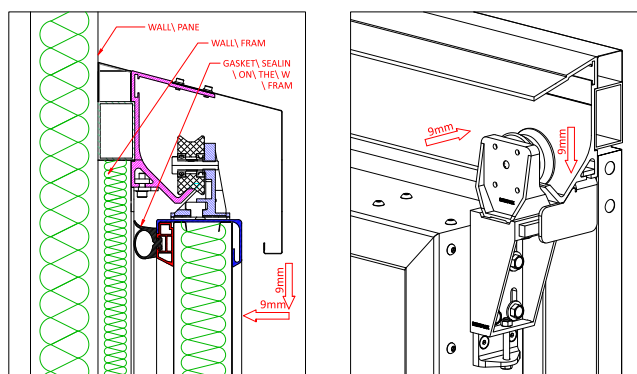


DOOR OPEN CONDITION (BOTTOM VIEW)

# CONCEPT FOR HERMETIC SEALED SLIDING DOOR

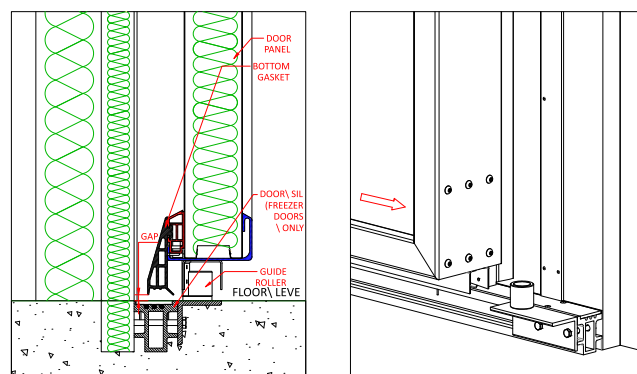


DOOR \ SLIDING \ CONDITI

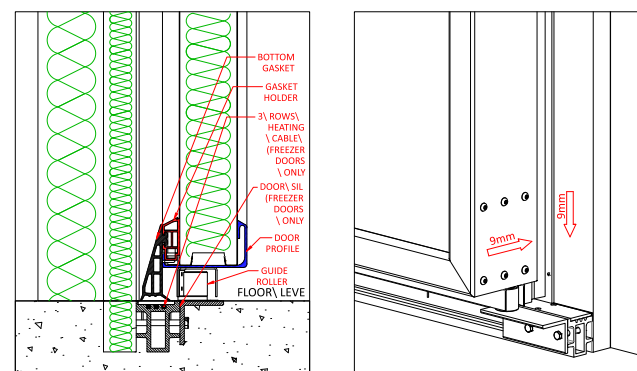


DOOR \ CLOSE \ CONDITI

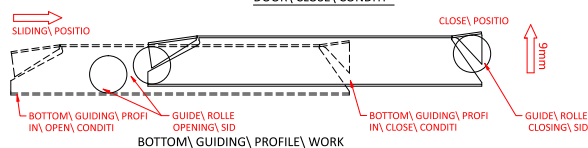
# BOTTOM SEALING BY GUIDE ROLLER



DOOR \ SLIDING \ CONDITI



DOOR \ CLOSE \ CONDITI



**CARYCORE** **Hatsun Agro** **Perfetti** **Heritage**  
 Kelvin cold chain  
**TATA Khet** **Pagro foods** **Brattle foods**  
**Jindal Mectac** **Mother dairy**  
**Himalaya** **Savla foods**  
**Llyod** **Voltas**  
**Domino's** **Blue Star** **Jain Irrigation**  
**GOPALJEE DAIRY** **Srini Foodpark** **Thermoking**  
**Coca-Cola** **Cargo Airport** **Napino Auto**  
**Carrier** **Bharti** **WalMart** **Cadbury**  
**NDDDB** **Carrefour** **Snowman Frozen Foods**  
**Genetco** **JWL** **Godrej** **Kwality** **Pabur**  
**Nilkamal** **Frick India** **Amroon foods** **TRPL**  
**P&G** **Balmer & Lawrie** **Hind Terminal**  
**Hindustan Uniliver** **Gati** **BOXCO**  
**Motherson Zannoti** **Nagahanuman** **Subros**  
**Vadilal** **Mrs. Bector Food** **Al Kabeer**  
**Larsen & Toubro** **Beardsell**



Too often, manufacturers view their service is operations as ancillary businesses, separate from and by no means equal in strategic or operational importance to the "core" product business. We, at Metaflex don't consider the services as just another function of organizational chart but a lifeline to our business.

Metaflex don't have Contracts, we prefer to have relationships and these relationships bring customer intimacy. Our service relationship agreement demonstrates our desire to deliver the best possible service at all times. We want you to think of the equipment we supply to you as being invisible, doing its job, day after day, and opening doors to your business and your customers, leaving Metaflex to ensure it operates correctly for many trouble-free years.

Metaflex trained staff in installation and maintenance service are well equipped and strategically located to minimize response time when you need us. Our dedicated service team is accessible at your doorstep 24x7. We serve to even the remote corners of country spanning more than 300 pincodes.

We care for our customers and hence provide national toll free number to contact our dedicated customer care team.



# OUR SERVICE NETWORK:



Meet reliability.



## Company presence: India / Worldwide



### CORPORATE OFFICES:

#### INDIA:

8-A, Udyog Vihar, Part I & II, Greater Noida (U.P.)-201306  
**T:** +91-120-4751000  
**E:** info@metaflex.in  
**W:** www.metaflexdoors.com

#### THE NETHERLANDS:

METAFLEX DOORS EUROPE BV  
 Ambachtsstraat 11 NL-7122 MP Aalten The Netherlands  
**T:** +31 88 1414 900  
**E:** info@metaflexdoors.com  
**W:** www.metaflexdoors.com



### REGIONAL OFFICES:

**BANGALORE:** 716/966/2, 9th Main Road, 7th Sector, H.S.R Layout,  
 (Near B.D.A. Complex) Bangalore - 560102  
**M:** 9535 6771 18  
**E:** sales.south@metaflex.in

**MUMBAI:** Office No.507, Thacker Tower Premises, Co-operative Society Ltd.,  
 Plot No.86, Sector 17, Vashi, Navi Mumbai - 400705  
**M:** 9535 6771 17  
**E:** sales.west@metaflex.in

**KOLKATA:** Sri Manjari Building  
 4th floor, 1/1 Camac street, Kolkata - 700071  
**M:** 9674644490  
**E:** sales.east@metaflex.in

#### EXPORTS:

**M:** 8800692290  
**E:** export@metaflex.in